

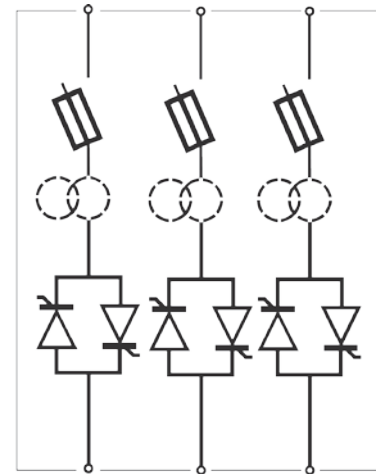
Custom 3PH from 1100A to 2700A



SIZE S33 - from 1100A to 1400A



SIZE S36 - from 1700A to 2700A



Technical Specification

- **Three phase thyristor:** Unit from 1100 to 2700A
- **Suitable to drive:** 3 phase loads at 480-600-690V with 3 phase controlled
- **Dimensions:** see proposal for size and dimensions
- **Load type:** Normal resistance, infrared long and medium
- **Frontal key pad setting:** Alarm indication and configuration
- **Protection:** Inside semiconductor fuses
- **Inputs:** SSR Standard, 0:10V, 4:20mA selectable
- **Firing mode:** Zero Crossing and Burst Firing available with analog input and configurable from 1 to 255 cycles ON at 50% power demand
- **Removable phase:** By front unit without fork lift help
- **Stall protection alarm:** For faulty fan
- **Second thermal switch:** For high heat sink temperature with free voltage contact output standard

- **Fuse failure microswitch:** Free voltage contact output standard
- **Structure:** Alluminium and copper structure treated against oxidation
- **Diagnostic and wiring diagram:** Easy to use on front unit
- **Operating temperature:** 0° to 40°C without derating
- **IP0 protection:** Standard
- **IP20 protection:** Option
- **Comply with CE-EMC**
- **Data sheet:** More details on "Custom 3PH from 1100 to 2700A" bulletin

Option

Measurement package including:

- **Heater break alarm:** Diagnostic partial or total load failure
- **Digital read out:** Current, voltage and power

	1	2	3	4	5	6	7	8	9	10	11	12	13	14	15	16					
ORDERING CODE	C	3	-	-	-	-	-	-	-	-	-	-	-	-	-	-					
CURRENT			3	4	5	6															
description			code			note															
1100A			1	1	0	0															
1400A			1	4	0	0															
1700A			1	7	0	0															
1900A			1	9	0	0															
2100A			2	1	0	0															
2700A			2	7	0	0															
MAX VOLTAGE							7														
description							code														
480V							4														
600V							6														
690V							7														
VOLTAGE AUX. SUPPLY								8													
description								code													
110V								0													
230V								2													
INPUT									9												
description									code												
SSR									S												
0:10V dc									V												
4:20 mA									A												
Potentiometer									K												
FIRING										10											
description										code											
Zero Crossing with SSR input										Z											
Burst firing configurable from 1 to 255 at 50% power demand										B						1					
CONTROL MODE																11					
description																code					
Open Loop																O					
Voltage feed back																U					
Power feed back																W					
Current feed back																I					
OPTION																	12				
description																	code				
None																	O				
Measurement package including heater break alarm and current, voltage and power read out																	H				
FAN VOLTAGE																		13			
description																		code			
110V																		1			
220V																		2			
APPROVALS																			14		
description																			code		
CE-EMC + IP0 protection standard																			0		
CE-EMC + IP20 one protection for each phase																			1		
CE-EMC + protection with flat plexiglass mounted on pillars (on VERSION 1,2)																			2		
MANUAL																				15	
description																				code	
None																				0	
Italian																				1	
English																				2	
German																				3	
French																				4	
VERSION																					16
description																					code
Version with Multidrive board. Production just as spare part																					1
Version with Custom board and frontal support of heat sink white																					2
New version in production from January 2015																					3

Note (1) Burst firing is a zero crossing firing
Note (2) Available just as spare unit giving serial number